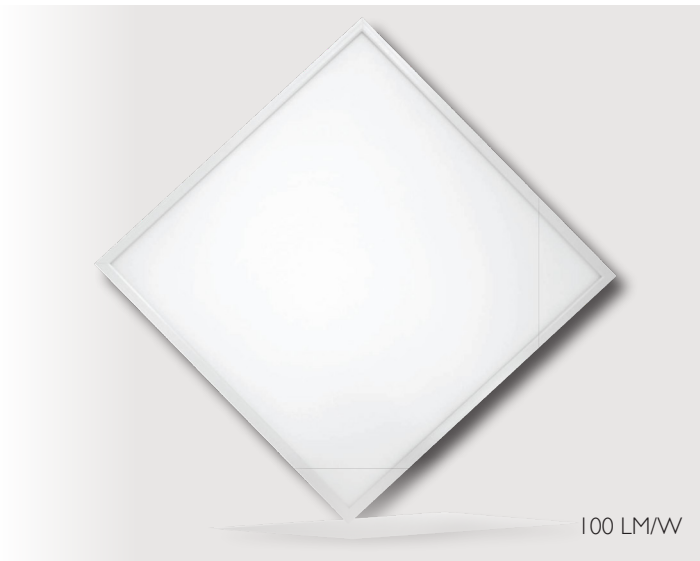
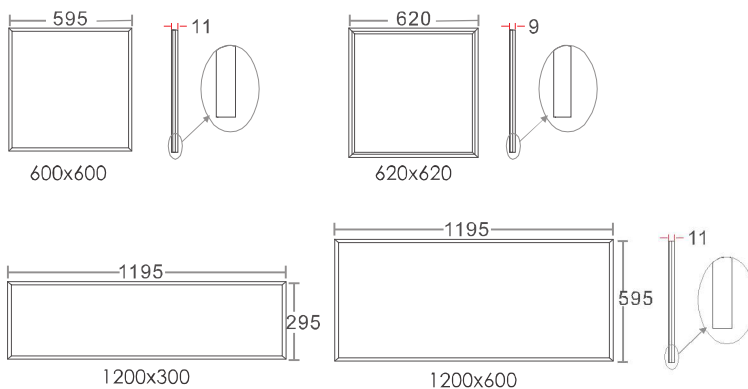


## DZL LED Panel Light

Regular/Dimmable/DALI



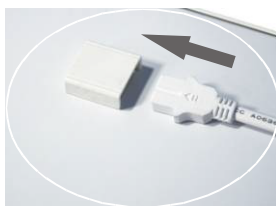
### Dimensions



### Features

- .ies/.ldt files are available
- Instant on/ off; No UV
- Treated flange back plate to solve the gap problem between two screws with old design
- Innovative design of connector safe and reliable user friendly
- Additional bump to protect LEDs from being hit by LGP
- Multiple installation methods
- Ultra slim and light, with thickness only 11mm

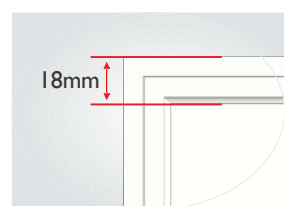
### Product Details



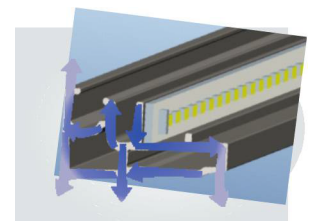
Innovative Plug-and-Play Connector



Flat head screw



18mm width frame to increase illumination area



Multiple paths to dissipate heat

# DZL LED Panel Light

Regular /Dimmable/DALI

## Product Specifications

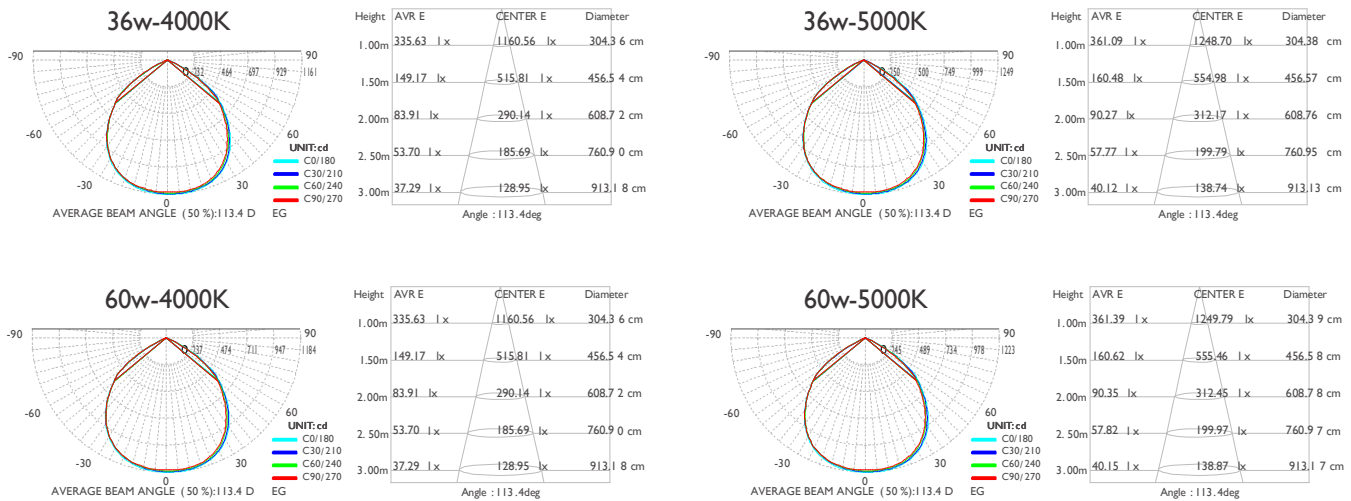
Part No.			Voltage	Power	PF	Luminous Flux		
Regular	Dimmable	DALI				@3000K	@4000K	@6000K
LUM-PLS600/36-6K	(600x600mm)		220-240 VAC	36W	> 0.9	3200 lm	3400 lm	3600 lm
LUM-PLS620/36-6K	(620x620mm)			36W	> 0.9	3200 lm	3400 lm	3600 lm
LUM-PLS1230/36-6K	(1200x300mm)			36W	> 0.9	3200 lm	3400 lm	3600 lm
LUM-PLS1200/60W-6K	(1200x600mm)			60W	> 0.9	5400 lm	5600 lm	6000 lm

XX: Color temperature of panel light: WW (3000K) / NW (4000K) / PW (5000K)

H1: Standard / H2: UGR<19

H2 series (UGR<19) might lose 5-10% lumen output compared with standard type

## Photometry : Light Distribution Curve and Average (LX) Figure



## ERP Functionality Requirement

	CRI	SDCM	Starting Time	Life Time	Switching cycles	Beam Angle	Lumen maintenance factor
Instant full light	>80	<6	<0.5s	50000 hrs ( L70B10 )	15000	110 deg	>96%
Can Dim							

EPIC LIGHTING

PO Box 50940, Wierda Park, 0149286  
Research Rd, Unit 4, Pretoria West  
087 711 0267 | info@epiclighting.co.za



www.epiclighting.co.za